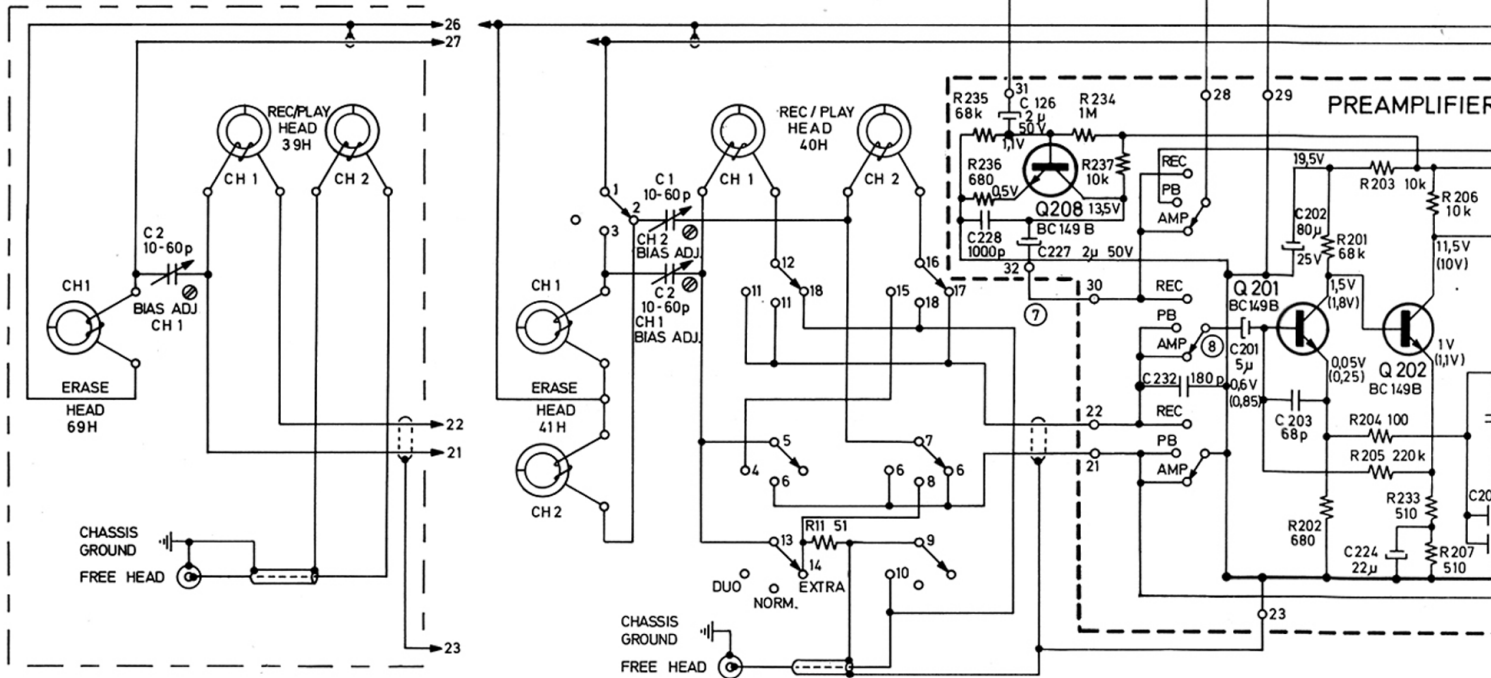
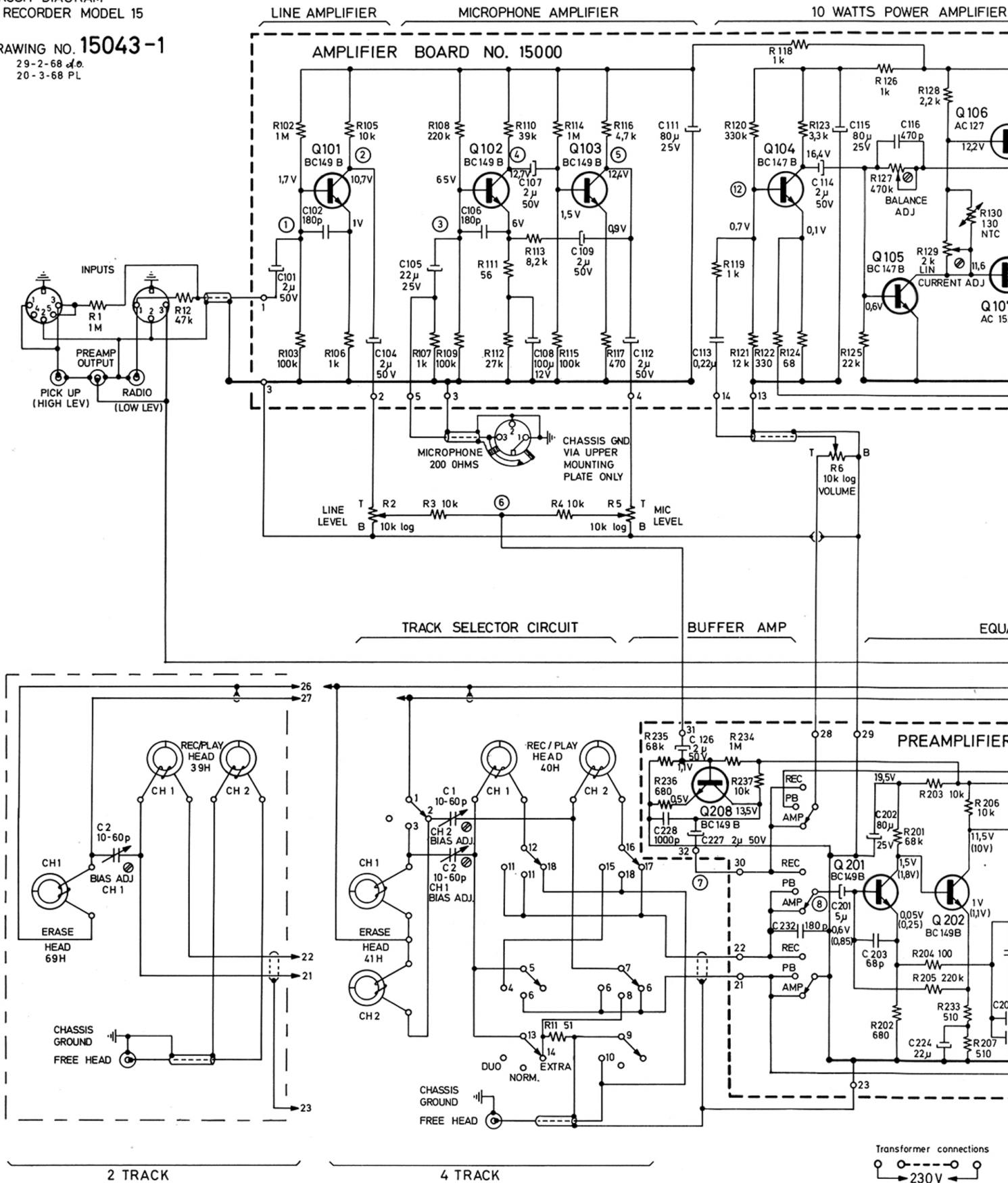
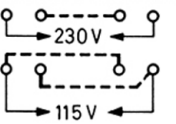


DRAWING NO. 15043-1

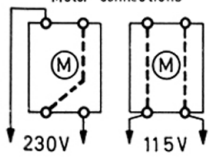
29-2-68 d.o.
 20-3-68 PL

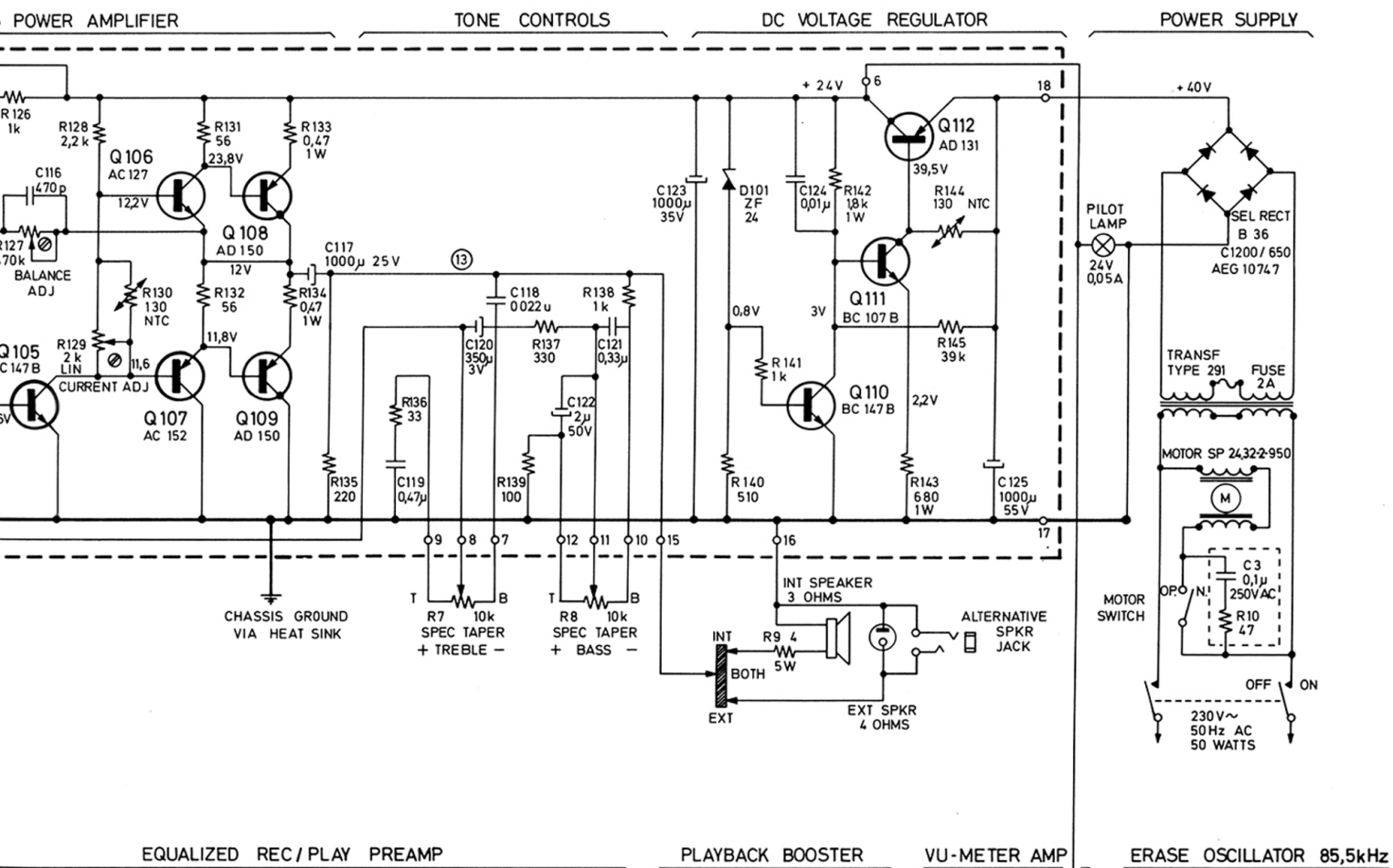


Transformer connections

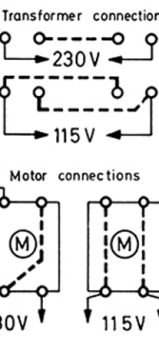
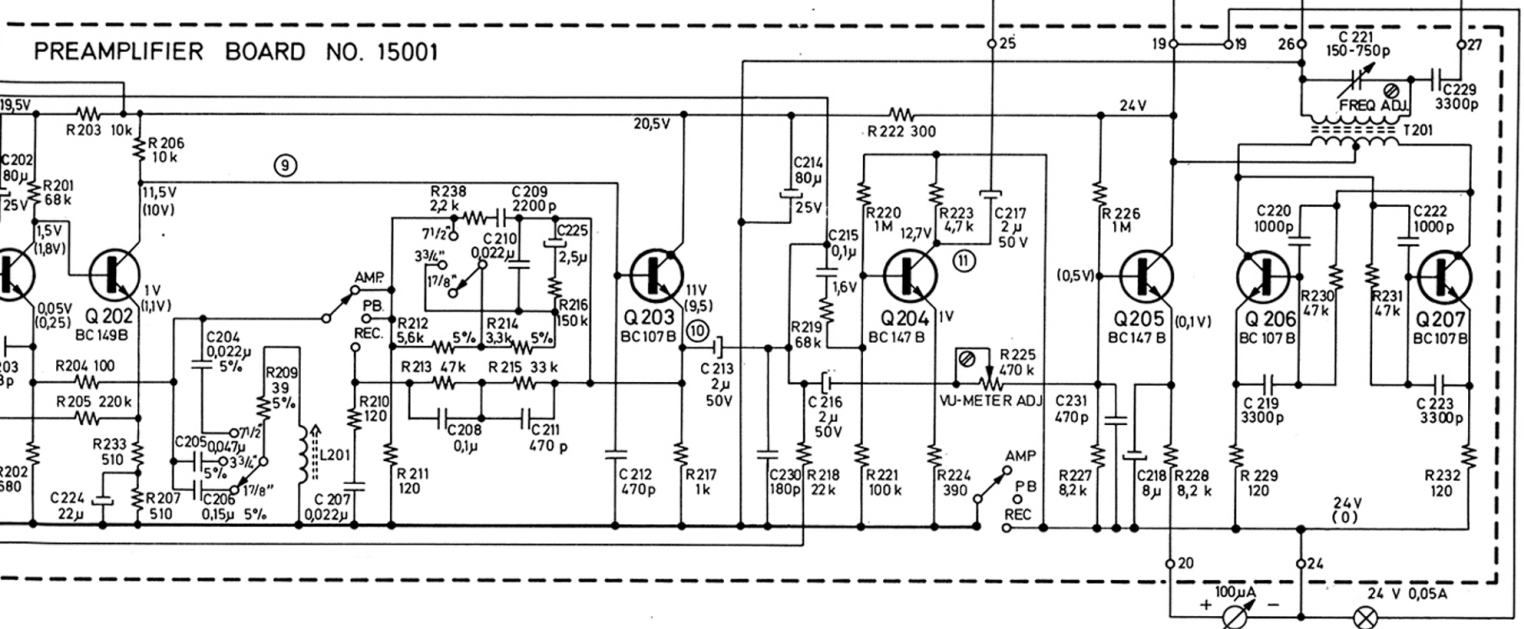


Motor connections





EQUALIZED REC/PLAY PREAMP PLAYBACK BOOSTER VU-METER AMP ERASE OSCILLATOR 85,5kHz



NOTES:

○ 23 = connection point

Resistors indicated in ohms unless otherwise specified.

k = 1000 ohms M = 1000000 ohms

All DC-voltages measured without signal.

Voltages given in paranthesis refer to record position

SENSITIVITY 400 Hz

LINE	RECORD		PLAYBACK		AMPLIFIER	
	LINE	MIC	LINE	MIC	LINE	MIC
1	5mV				5mV	
2	22mV				22mV	
3		0,15mV				0,15mV
4		5mV				5mV
5		22mV				22mV
6		10mV				10mV
7		55mV				55mV
8		55mV	0,25mV			
9		2,5V		55mV		
10		2,5V		55mV		
11				300mV		
12		55mV		55mV		55mV
13		6,3V		6,3V		6,3mV